

TITAN

Maintenance instructions:

- TITAN AF
- TITAN iP
- FAVORIT

Window systems

Door systems

Comfort systems

Table of Contents

Safety Instructions	2
Installing and Removing the Window Sash	3
Making Adjustments	4
- Stay	5
- Stay - Top Hinge	6
- Locking Point	7
- Tilt Sash Hinge - Corner Hinge	8
- Rebate Corner Hinge	9
- Bottom Hinge	10
- Snapper - Sash Lift - Run-Up	11
- Load transfer	12

Target Audience

This documentation is aimed at specialist window companies. All procedures described here must only be carried out by experienced professionals!

Feedback on documentation

We are always happy to receive comments and suggestions for the improvement of our documentation.

Please e-mail us your comments to [,dokumentation@siegenia.com](mailto:dokumentation@siegenia.com)'.

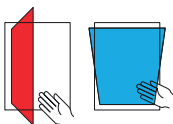
Safety Instructions

- Always observe the safety instructions when carrying out work to windows/doors!
- Keep children and people who cannot estimate the dangers away from the point of danger!
- Avoid spilling lubricants onto the floor or leave tools unattended in the working area!



Risk of injury from falling through open windows

- Always use stable step ladders.
- Protect yourself against falling out of windows.
- Do not steady yourself or hold on to the opened sash.



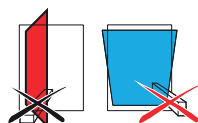
Danger of injury through trapping of body parts

- Never reach into the opening between the sash and the outer frame when closing windows/doors.



Risk of injury or damage from pressing the sash against the reveal

- Do not press the sash against the window reveal.



Risk of injury from trapping parts of the body between the sash and the frame

- Do not overload the sash.



Risk of injury from the effect of wind

- Prevent wind from acting on the open sash.
- During wind/drafts, close and lock windows.



Risk of injury and material damage from overloading the sash

- Do not overload the sash.

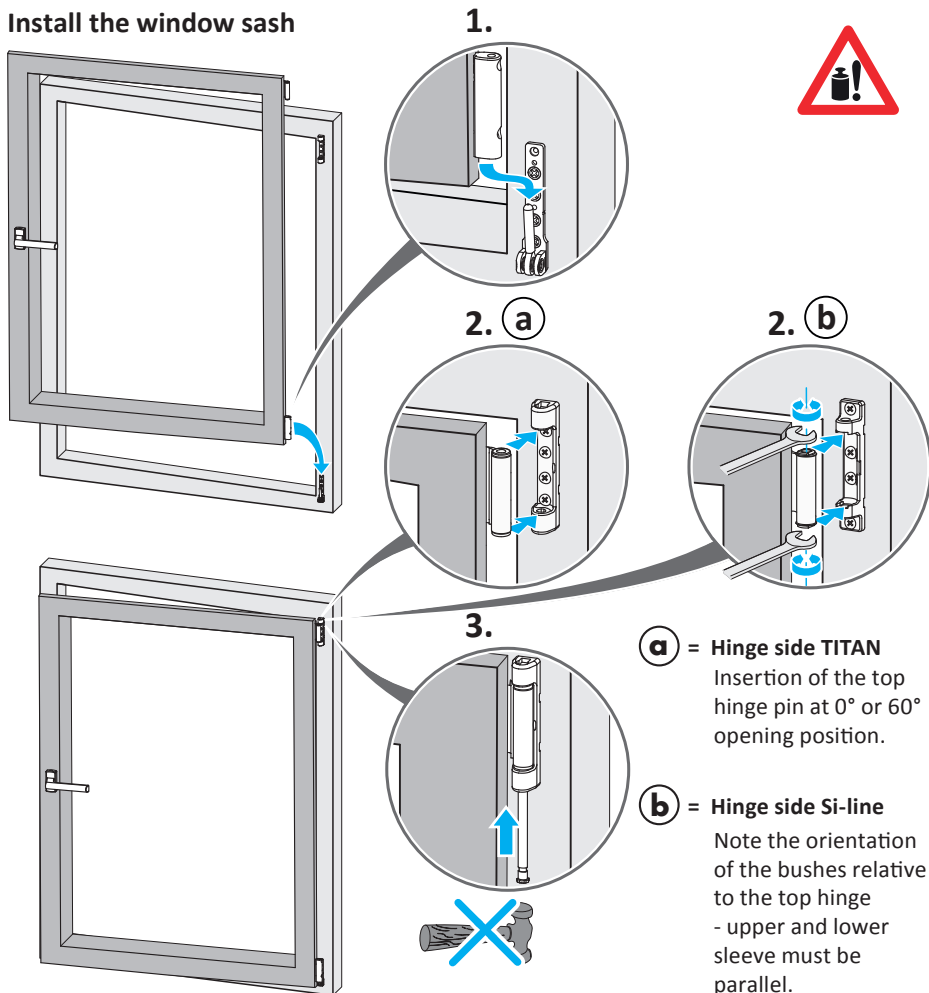
WARNING

Operational malfunction of the window components may result in injury!

- ▶ Do not continue to use the window once an operational malfunction has been identified.
- ▶ Secure the window and instruct a **specialist company** to carry out the repairs.

Installing and Removing the Window Sash

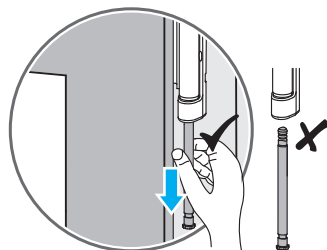
Install the window sash



Remove the window sash

Remove it in the reverse order.

Please note:



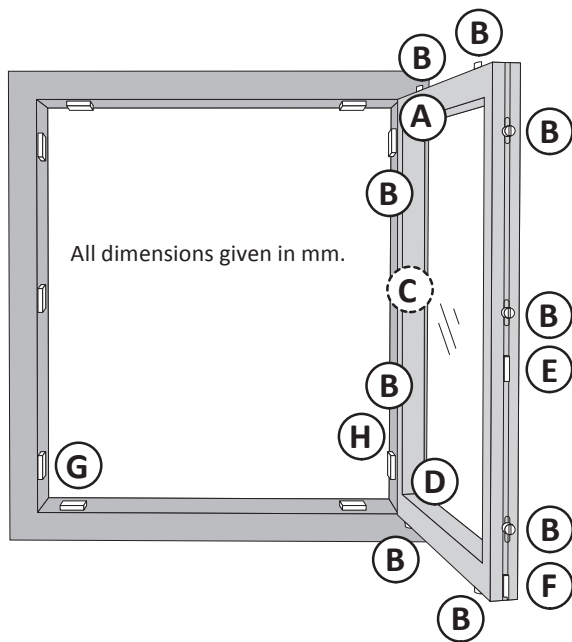
Please note::

When using the mishandling device (FBS) on the corner drive VSU, the sash must only be mounted in the turning position with the sash open.



Failure to do so may cause damage to the mishandling device or lead to a malfunction.

Making Adjustments



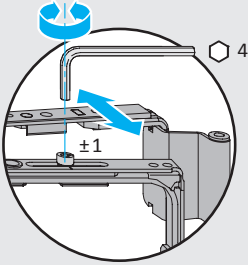
- A** Stay and top hinge
- B** Locking point
- C** Tilt sash hinge (only for tilt sash)
- D** Corner hinge - rebate corner hinge - bottom hinge
- E** Door snapper
- F** Sash lift
- G** Run-up
- H** Load Transfer

Making Adjustments

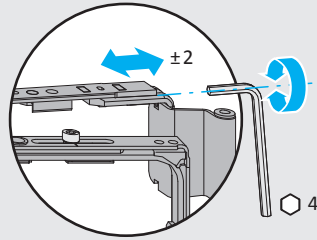
A Stay

TITAN iP, AF - Hinge side TITAN/Si-line

Pressure adjustment

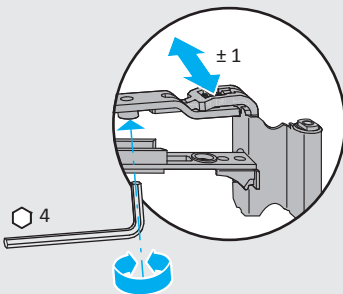


Side adjustment

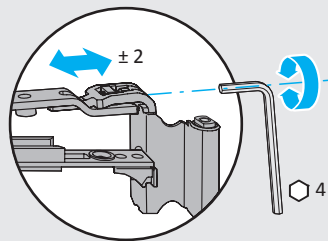


FAVORIT - Hinge side Si-line

Pressure adjustment



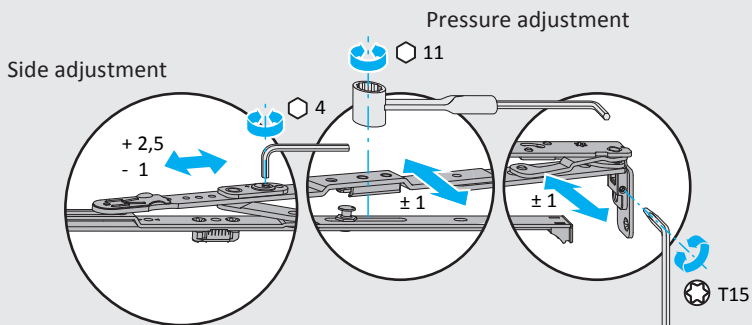
Side adjustment



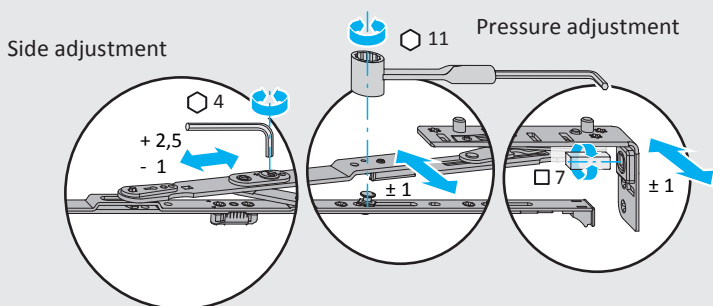
Making Adjustments

A Stay

Hinge side axxent 24+



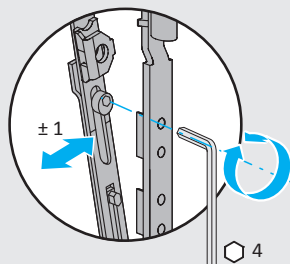
Hinge side axxent 34/axxent SE



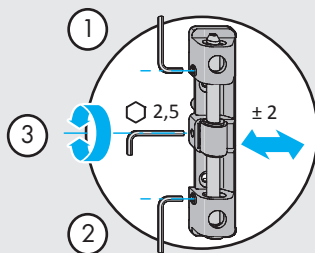
A Stay/Top hinge

Arched head

Pressure adjustment



Side adjustment

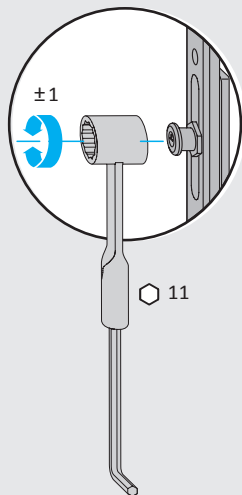


Making Adjustments

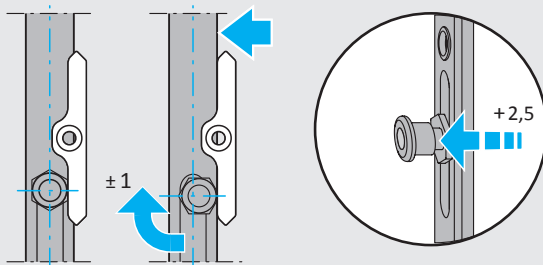
B Locking point

TITAN iP, AF - comfort mushrooms

Pressure adjustment

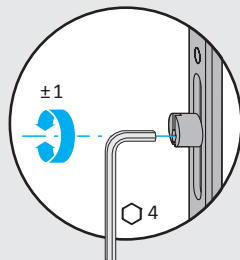
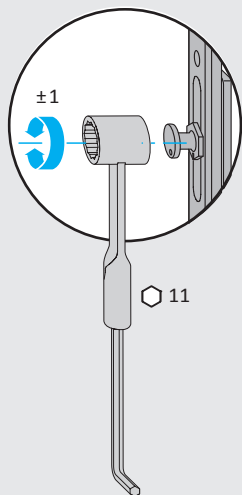


Adjustment



TITAN iP/FAVORIT

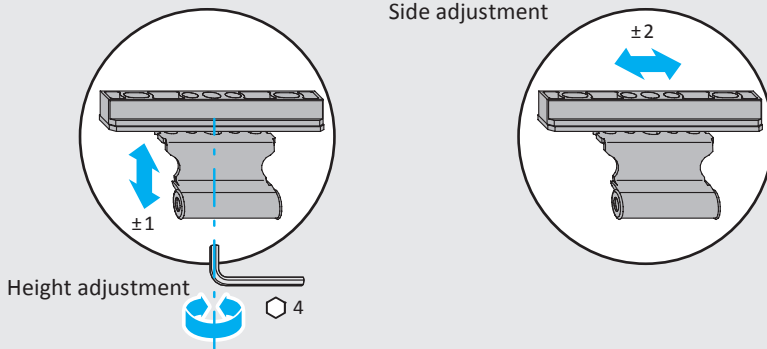
Pressure adjustment



Making Adjustments

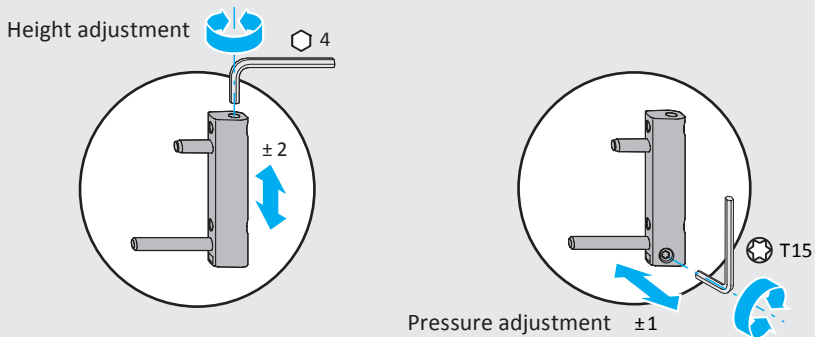
C Tilt sash hinge

Hinge side TITAN/Si-line

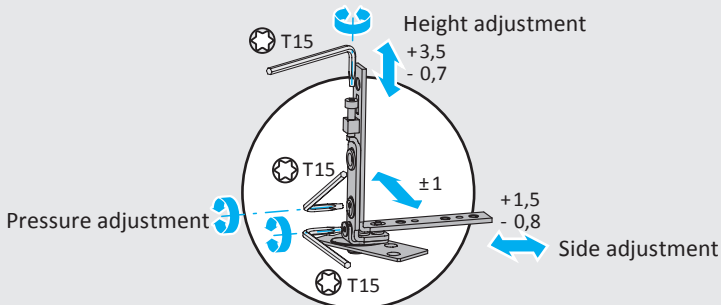


D Corner hinge

Hinge side TITAN/Si-line



Hinge side axxent SE

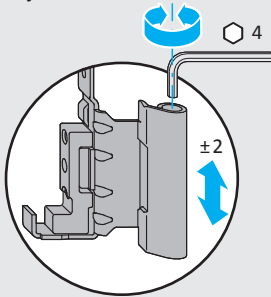


Making Adjustments

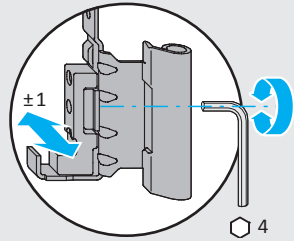
D Rebate corner hinge

Hinge side TITAN/Si-line PVC

Height adjustment

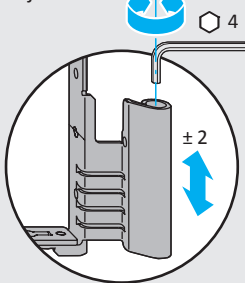


Pressure adjustment

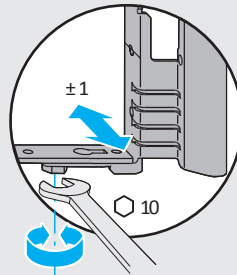


Hinge side Si-line timber

Height adjustment

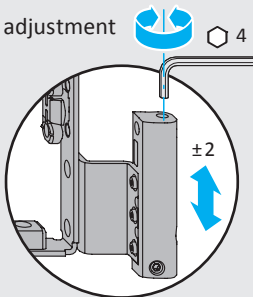


Pressure adjustment

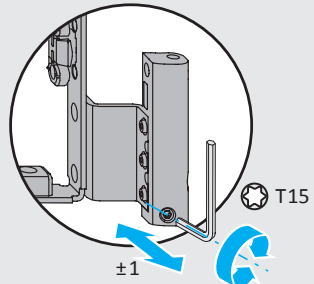


Hinge side TITAN timber

Height adjustment



Pressure adjustment

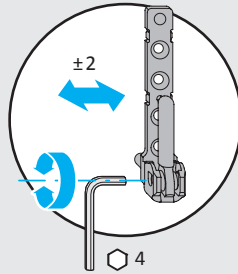


Making Adjustments

D Bottom hinge

Hinge side TITAN/Si-line

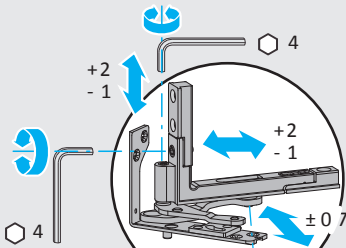
Side adjustment



D Bottom hinge/Corner hinge

Hinge side axxent 24+/axxent 34

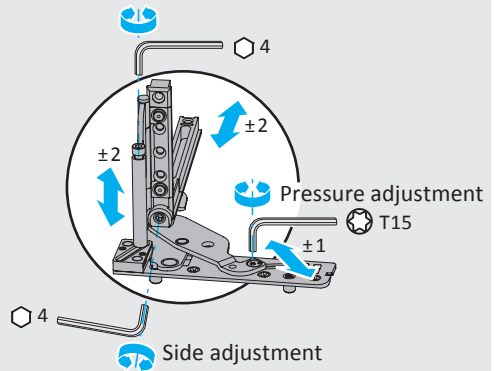
Height adjustment



Side adjustment

Pressure adjustment
 \odot T15

Height adjustment

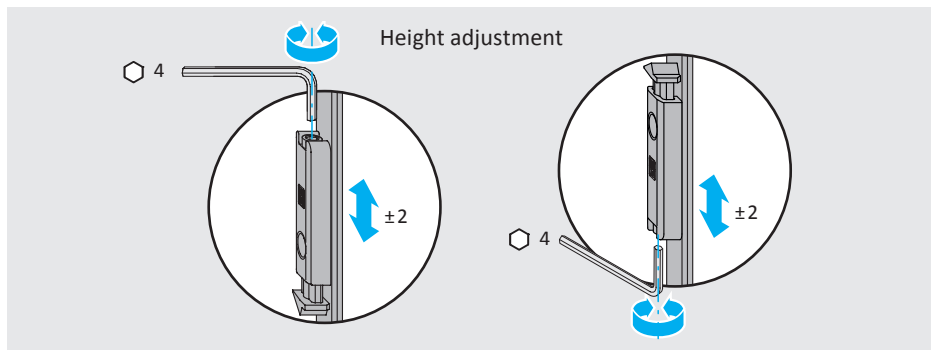


Pressure adjustment
 \odot T15

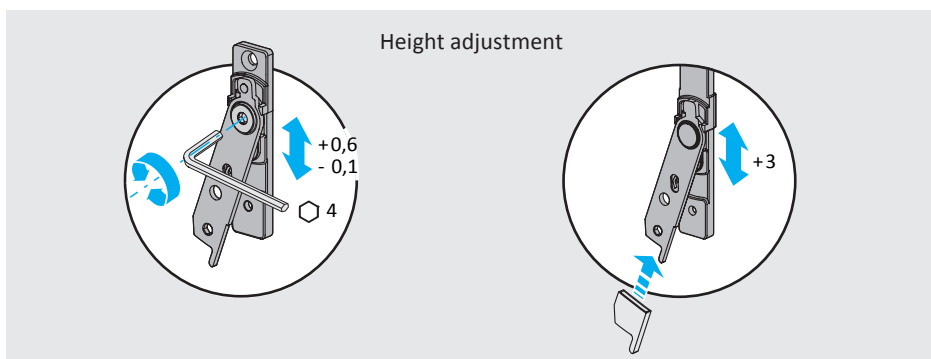
Side adjustment

Making Adjustments

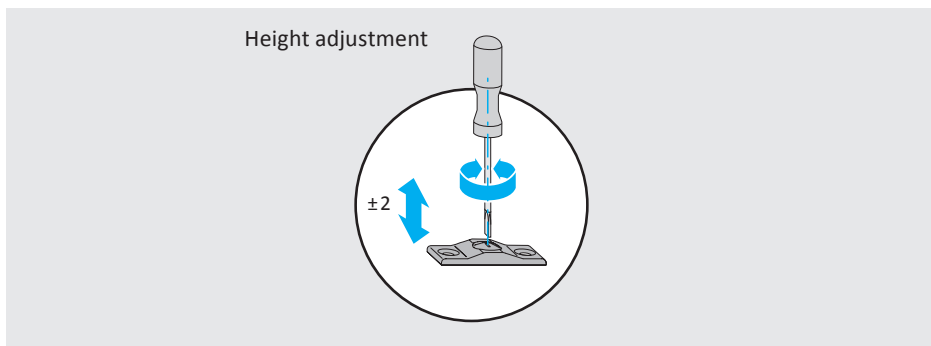
E Snapper/ - switchable



F Sash lift/ - with mishandling device



G Arched head run-up

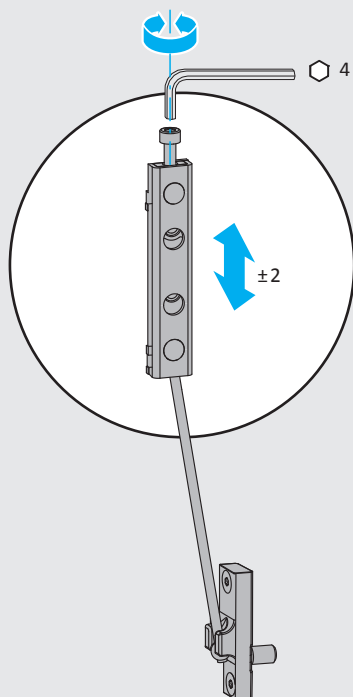


Making Adjustments

H Load transfer

Hinge side axxent 24+

Height adjustment



www.siegenia.com



SIEGENIA[®]
brings spaces to life